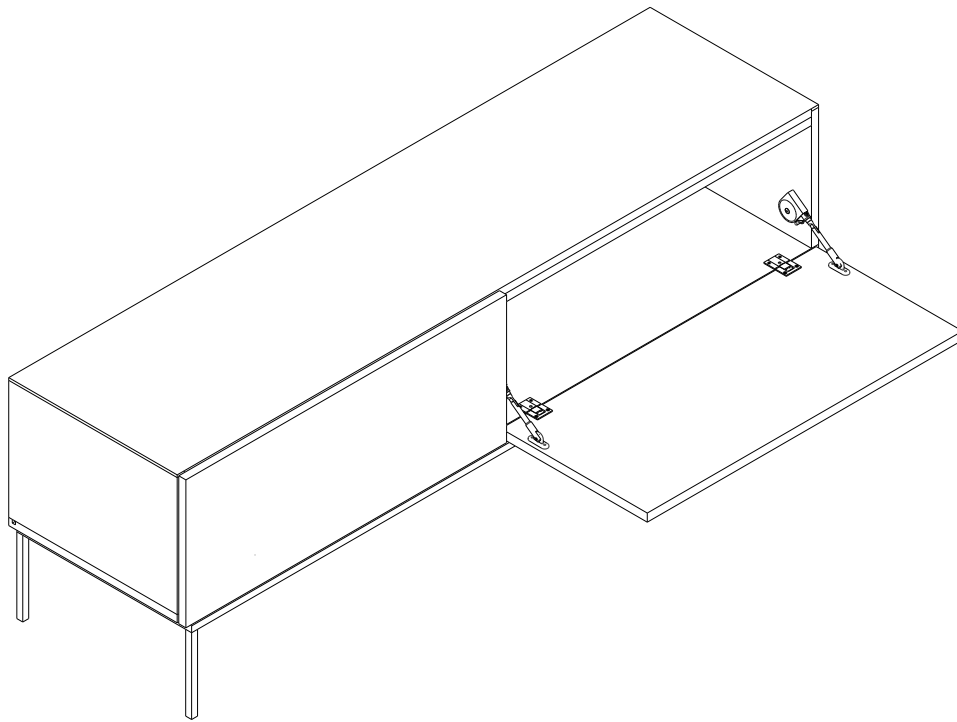
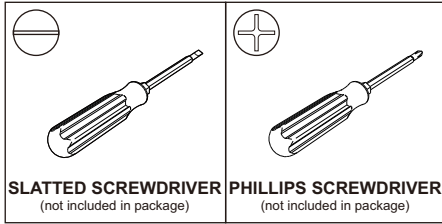
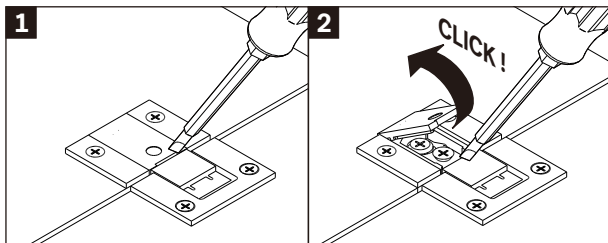


ASSEMBLY INSTRUCTIONS FOR HINGE & FLIP-DOWN DOOR ADJUSTMENT

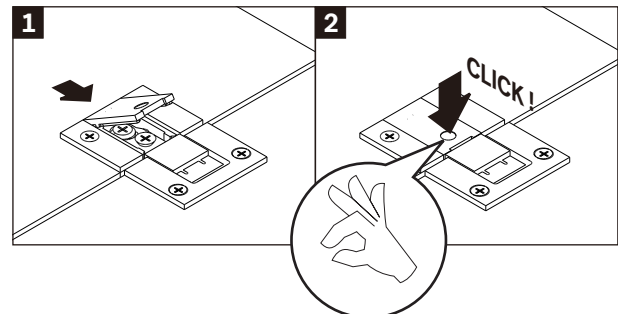
TOOLS



COVER CAP REMOVAL



COVER CAP INSTALLATION

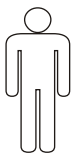


 **USE SLATTED SCREWDRIVER**

SYMBOLS



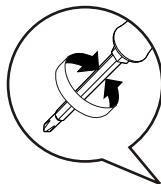
DIRECTION



**NUMBER OF
PERSONS NEEDED**

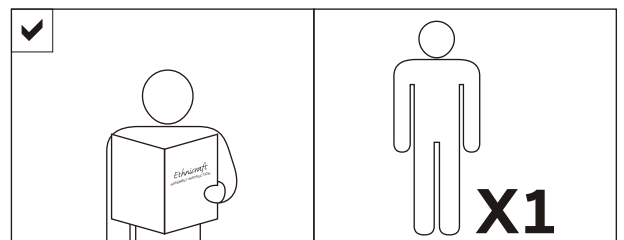


USE HAND

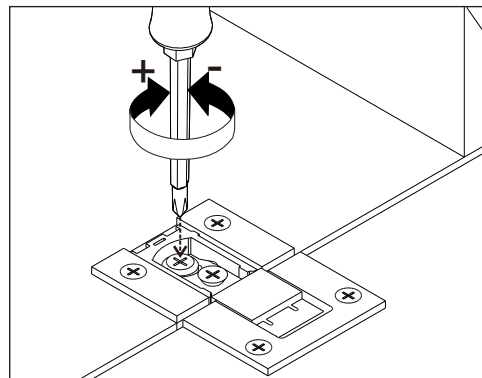
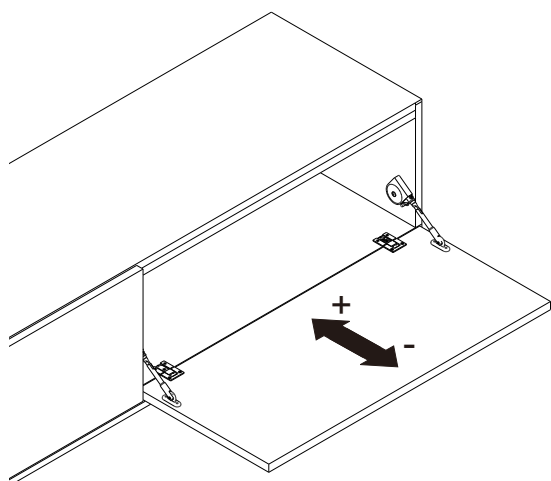


**USE PHILLIPS
SCREWDRIVER
TO TIGHTEN**

NOTICE

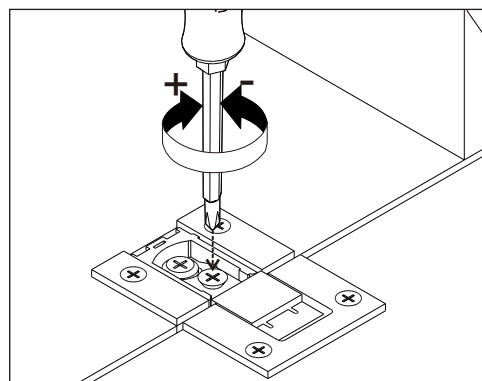
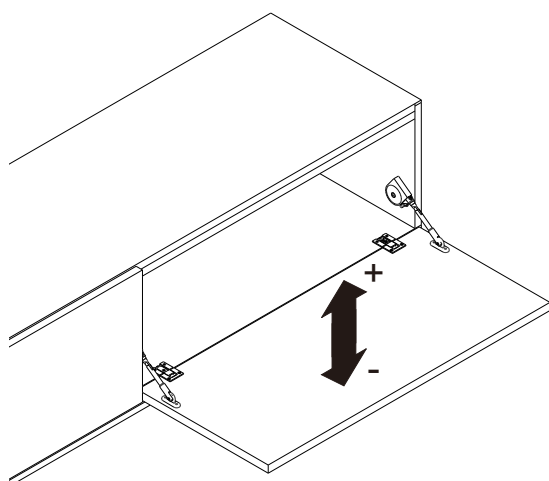


A DEPTHWISE ADJUSTMENT



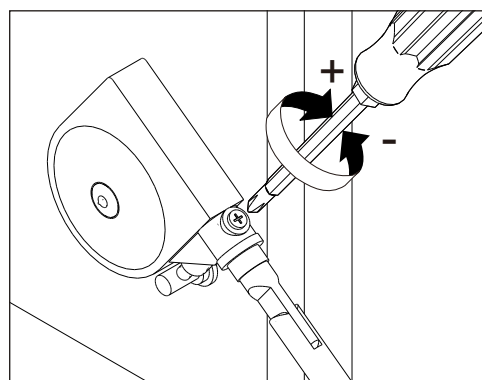
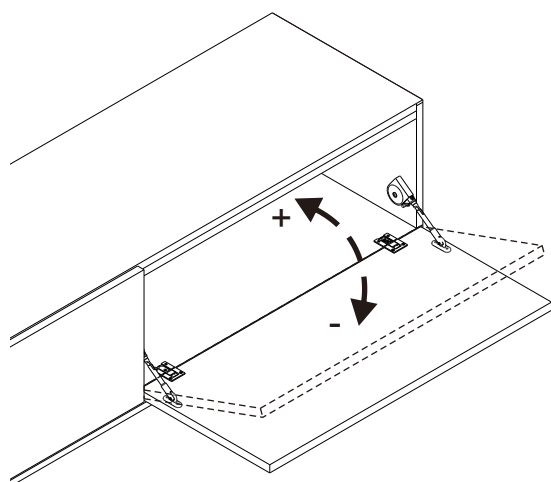
- ⚠ - DEPTH ADJUSTMENT 0 ± 2 MM
- ⚠ - ADJUST DOOR POSITION ONLY IF NEEDED

B HEIGHTWISE ADJUSTMENT



- ⚠ - HEIGHT ADJUSTMENT 0 ± 2 MM
- ⚠ - ADJUST DOOR POSITION ONLY IF NEEDED

C ANGLE OF THE DOOR ADJUSTMENT



- ⚠ - ADJUST DOOR POSITION ONLY IF NEEDED